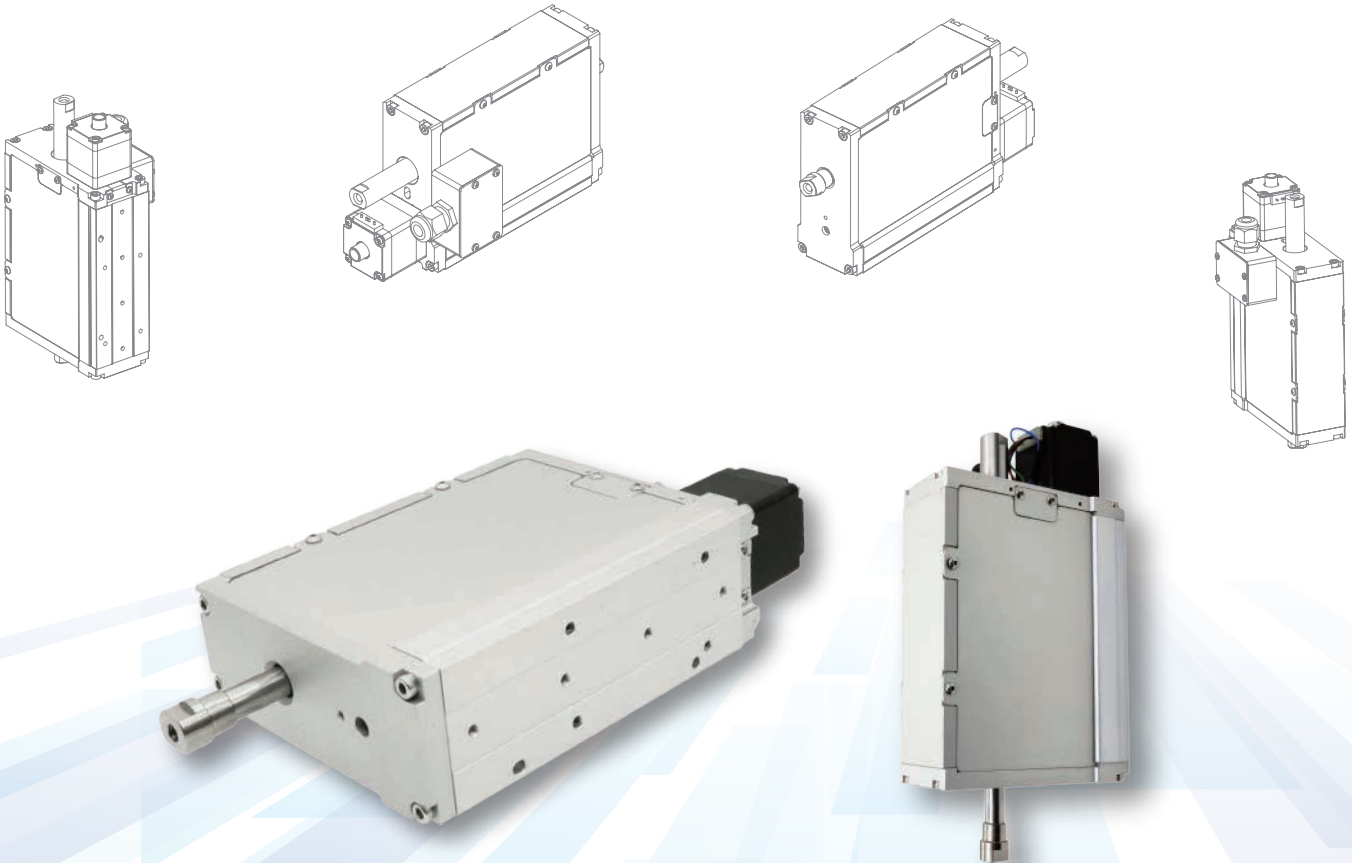




GMT GLOBAL INC.

GERZB Coaxial Rotating Cylinder

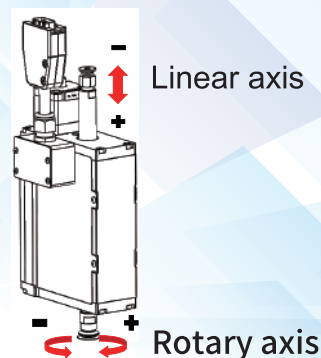


Compact lightweight design
Dual-axis integrated design
No need for synchronous compensation

Made in Taiwan

Features:

- Vertical and rotary movements within a single unit.
- The mechanism achieves compactness and convenient lightweight design.
- No need for synchronous compensation setup during operation, as each axis can be independently function-driven.
- Able to be combined with linear modules for transporting objects in a large space.



Application:

The nozzle is paired with the Z-axis and a rotational axis that features angle positioning capability. The rotational axis allows for angle-specific positioning without requiring simultaneous compensation, making the control process straightforward and user-friendly.

Model No.	GERZB40	
Items	Z Axis	θAxis
Size	40mm	
Movable Range	40mm	360°
Drive Type	Ball Screw Ø6	
Lead	4mm	
Material/ Surface treatment	Aluminum Alloy / Matte Anodized	
Wiring Method	standard wiring	
Repeatability	±0.01mm	±0.05°
Max. Speed	60mm/sec	5rev/s
Vertical Load	0.3kgf	
Reference Thrust Force	24N	-
Maximun Permissible Moment	-	0.05N · m
Motor	2-phase stepper/□28	
Driver	GSDC/GTR22G-D	



GMT GLOBAL INC.

www.gmtglobalinc.com



Global Operation Headquarter
No. 357, Sec. 1, Yaofeng Rd.,
Puxin Township,
Changhua County 513004, Taiwan
TEL : +866-4-828-2825
FAX : +866-4-828-2228
E-mail : MD@gmt.tw

Xiushui Office
No.3, Ln. 34, Minzhu St.,
Xiushui Township,
Changhua County, 504001, Taiwan
TEL : +866-4-768-8328
FAX : +886-4-768-8314

Taiwan Distributor/SFT
No.22, Aly. 53, Ln.428, Sec. 3, Wenhua Rd.,
Rende Dist., Tainan City 717021, Taiwan
TEL : +886-6-270-3518 FAX : +886-6-270-3510

GMT Europe GmbH
Wilhelm-Busch-Straße 4, 26655 Westerstede,
Germany | TEL : +49 (0) 4488 761 746

China
Dongguan Ding Qi Intelligent Automation
Technology Ltd.
No.8 Factory ,SHUI-BIAN Industrial Zone,
Hengli Town, Dongguan City, Guangdong
Guangdong Province, China
TEL : +86-400-770-6066